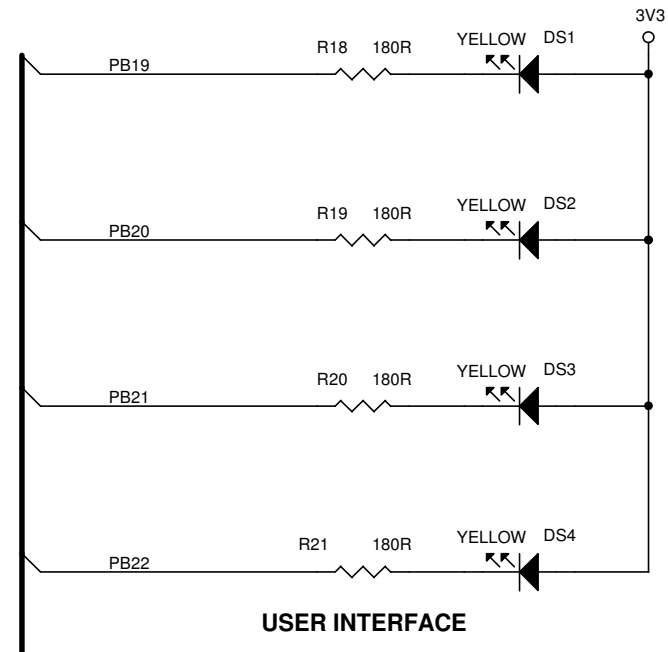
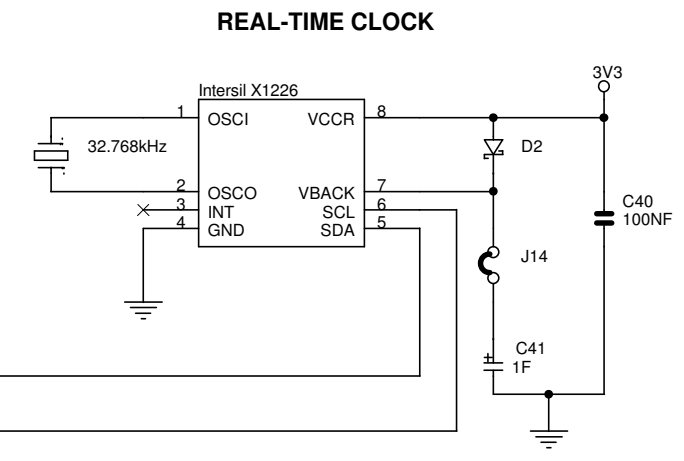
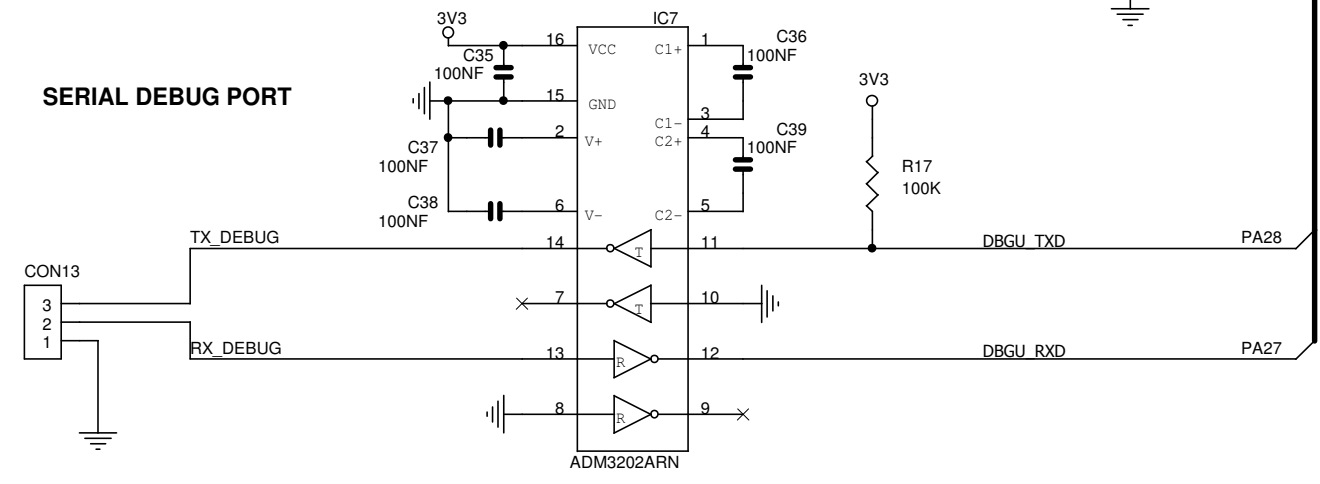
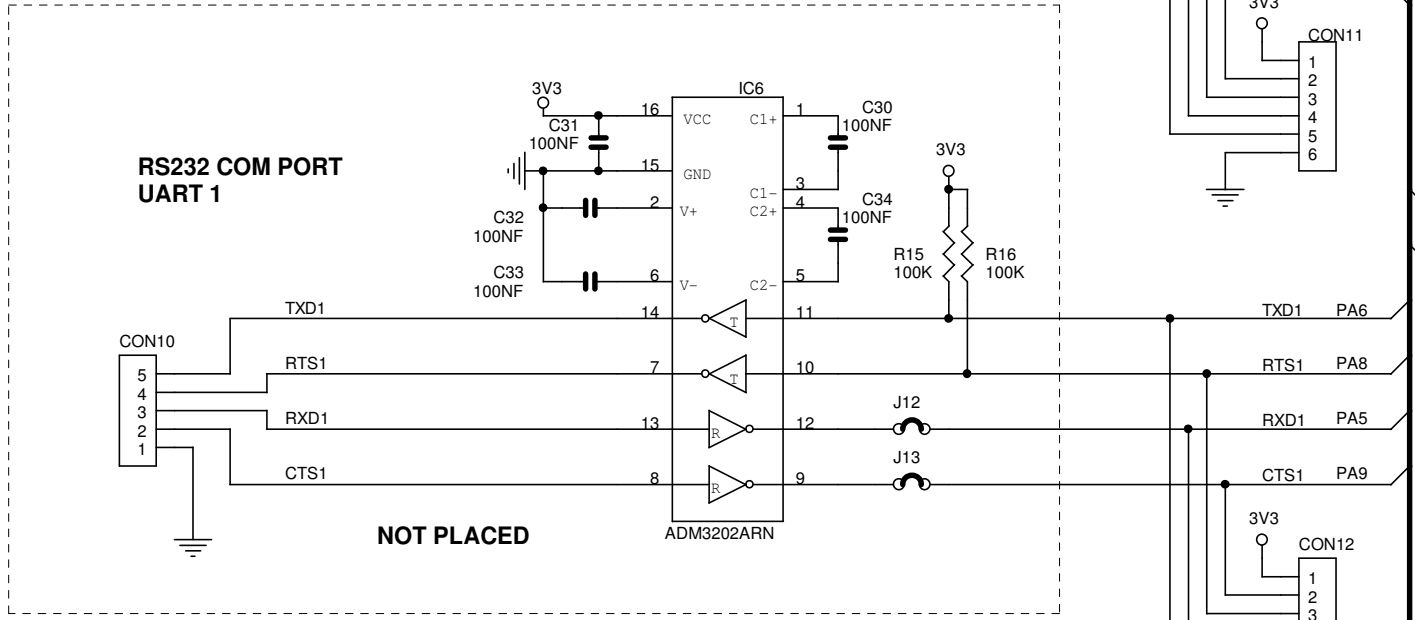
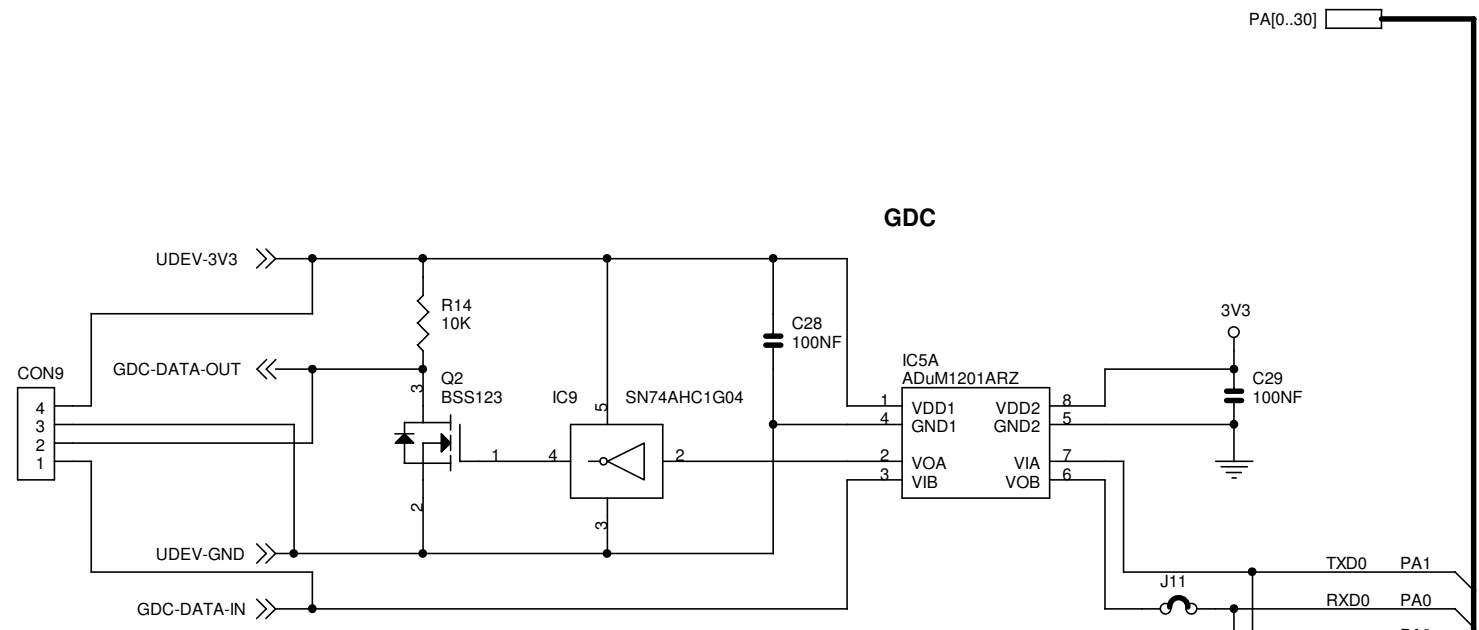


Title		
KROHNE Altometer EtherFlow		
Size	Document Number	Rev
A3	7.3.9824.02	02
Date:	Tuesday, May 15, 2007	Sheet 1 of 3



Title KROHNE EtherFlow		
Size A3	Document Number 7.3.9824.02	Rev 02
Date: Tuesday, May 15, 2007	Sheet 2	of 3

